



Work Safe-READ THIS!



ATTENTION: FAILURE TO READ AND COMPLY WITH ALL WARNINGS, CAUTIONS AND INSTRUCTIONS PRIOR TO STARTING INSTALLATION MAY CAUSE PERSONAL INJURY AND/OR PROPERTY DAMAGE AND VOID WARRANTY.

STOP/READ: This device must be installed in accordance with manufacturer's instructions. This unit must be in accordance with all applicable local plumbing, drainage and electrical codes.

WARNING: Remove electrical shock hazard – **Disconnect the power supply before installing AquaGuard** to avoid electrical shock and/or equipment damage. **Do not use on circuits exceeding 24 volts** to avoid damage to switch, shock or fire hazard.

CAUTION: In some situations the switch may cause the unit to rapidly cycle on and off as water level rises slowly in pan. After a brief period the unit will switch totally off. Condensate drain must be serviced if this occurs.

CAUTION: In any installation where property damage and/or personal injury might result from an inoperative switch due to power outages, a back-up system(s) and or alarm should be installed.

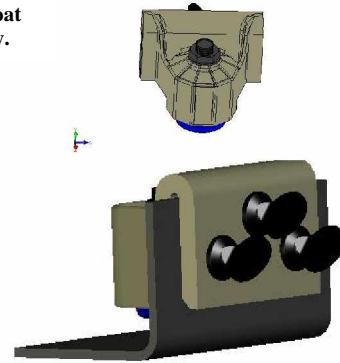
NOTICE: The AquaGuard AG-1100 (AG-1) must be only installed by a licensed contractor or under the direct supervision of same.

INSTALLATION OF FLOAT SWITCH ON DRAIN PAN:

1. Disconnect power to unit at main panel. Disconnect power to the low voltage thermostat circuit.
2. Slide AquaGuard onto the side of the pan at the low end and clamp into place with supplied thumb screws. Do not over tighten. Secure switch wires so they will not affect the operation of the float.
3. Secure AquaGuard by tightening thumb screws.
4. AquaGuard is equipped with a highly buoyant float, which will trigger the switch with just a small amount of water rising in the pan. IF NEEDED, Adjust the float sensitivity by loosening the top nut on the float. Then adjust the float to desired length by threading switch assembly downward.
5. Ensure float switch assembly is firmly secured to bracket. Switch will trip when water level reaches a point even with top of float (when float is in down position). Sensitivity may be adjusted by threading switch assembly downward, out of bracket if necessary.
6. Check blue float for free movement up and down.

Wiring

7. Double check that the power is disconnected to the unit at the main panel prior to taking the next step. Refer to the air conditioning or refrigeration unit's installation and operating instructions and also review wire layout in their instructions.
8. Locate the 24-volt thermostat wires entering air handler or refrigeration unit.
9. If not present, it is recommended that an inline fuse to protect 24-volt circuit be installed.
10. Disconnect or cut red wire and connect to one of the switch leads using wire nut. Connect the other switch lead to terminal of unit or the other end of the wire you just cut, then use wire nut. Incorporating both switch wires in the red circuit, this will shut the entire unit off.
11. Testing the switch.
 - A. Test switch by lifting float with unit on. Unit should stop running if switch is correctly wired.
 - B. Testing switch responsiveness: Fill pan with water to ensure that the switch stops the unit before the pan overflows. Remove water.
12. Place the ATTENTION sticker on air handler or condenser unit in a clearly visible location.



RCT Limited Warranty

Resource Conservation Technologies ("RCT") warrants to the original consumer purchaser ("Purchaser") of its product, AquaGuard AG-1100, that it is free from defects in material or workmanship. If within three years (36 months) from the date of the original consumer purchase this product shall prove to be defective, it shall be repaired or replaced at RCT's option, subject to the terms and conditions set forth below. Your original receipt of purchase is required to determine warranty eligibility.

GENERAL TERMS AND CONDITIONS:

Purchaser must pay all labor and shipping charges necessary to replace product covered by this warranty. This warranty shall not apply to acts of God, nor shall it apply to products which, in the sole judgment of RCT have been subject to negligence, abuse, accident, tampering, misapplication, alteration; nor due to improper installation, operation or maintenance or storage; nor to other than normal application, use or service, including but not limited to, operational failures caused by corrosion, rust or other foreign materials in the system. Requests for service under this warranty shall be made by returning the defective product to the Retail outlet or to RCT as soon as possible after the discovery of any alleged defect. RCT will subsequently take corrective action as promptly as reasonably possible. No requests for service under this warranty will be accepted if received more than 31 days after the term of the warranty. This warranty sets forth RCT's sole obligation and purchaser's exclusive remedy for defective products. RCT SHALL NOT BE LIABLE FOR ANY CONSEQUENTIAL, INCIDENTAL, OR CONTINGENT DAMAGES WHATSOEVER. THE FOREGOING WARRANTIES ARE EXCLUSIVE AND IN LIEU OF ALL EXPRESS WARRANTIES. IMPLIED WARRANTIES, INCLUDING BUT NOT LIMITED TO THE IMPLIED WARRANTIES OF MERCHANTABILITY AND FITNESS FOR A PARTICULAR PURPOSE, SHALL NOT EXTEND BEYOND THE DURATION OF THE APPLICABLE EXPRESS WARRANTIES PROVIDED HEREIN. Some states do not allow the exclusion of limitation of incidental and consequential damages or limitations on how long an implied warranty lasts, so the above limitations or exclusions may not apply to you. This warranty gives you specific legal rights and you may also have other legal rights that vary from



24 volts AC, 2.25 amps carrying capacity, 1.125 amps breaking-capacity

Resource Conservation Technologies - Bradenton, Florida USA

www.AquaGuardUSA.com

Pending

US Patent